

BELSLICE PRESS SLICER

Perfect cutting result

If you need a slicing machine for perfect horizontal cutting of sponge cakes, then Belslice Press is your answer.

1. The Belslice Press slicer is available in one series:

- Belslice Press slicer;

2. Design features:

- quick-change height adjustable cutting blades (maximum 5 blades, adjustable in 5 mm steps);



unscrew



insert a new blade

- adjustable conveyor speed;
- catch tray for crumbs;
- swivel wheels with brakes;
- a press belt with adjustable speed and manually adjustable in height; presses the sponge down and ensures ideal slicing of layers;

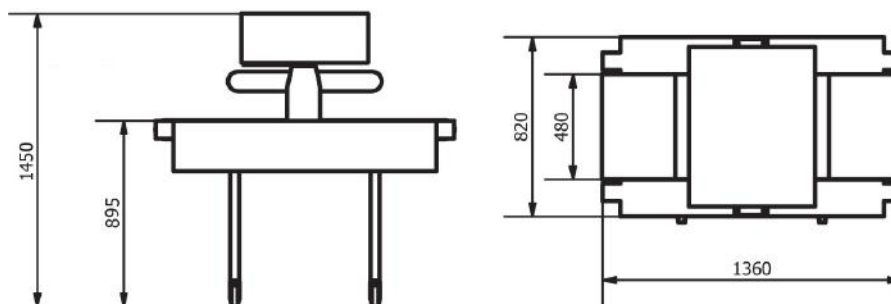
3. Technical specifications

Capacity	maximum product width 480 mm; maximum product length 650 mm; maximum product height 140 mm; cutting thickness 5-10-15.. etc. mm (distance between knives); lower layer is always 10 mm (distance between lowest knife and conveyor belt) about 20 big cakes/min; about 40 small cakes/min (max diam. 220 mm);
Power	220 V single phase, 50/60 Hz, 0,5 kW
Material	Stainless steel



4. Dimensions

Belslice Press slicer



Beldos N.V., Industrielaan 10, 2950 Kapellen, Antwerp province, Belgium

Phone: +32 3 646 40 48 Fax: +32 3 646 42 46

www.beldos.com Email: info@beldos.be

Publisher: Beldos N.V. Without permission of the publisher nothing from this folder can be copied. © 01.01.2019

5. Common applications with additional options:

- horizontal cutting of rectangular/square/round sponge, etc. from 2 up to 6 layers simultaneously;
- sponge without particles;

a. Slicing (horizontal)



sponge



hamburger buns